

Description : DUNE MK3

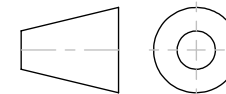
Code : AL5003

Revision : 02

Scale : 1:5

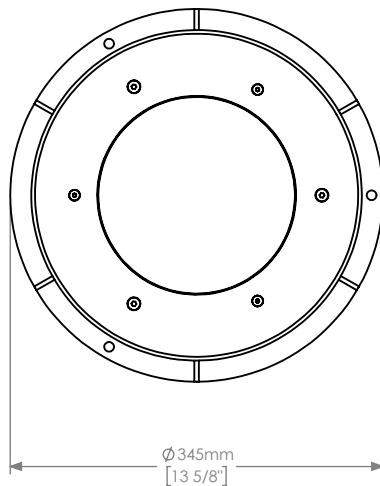
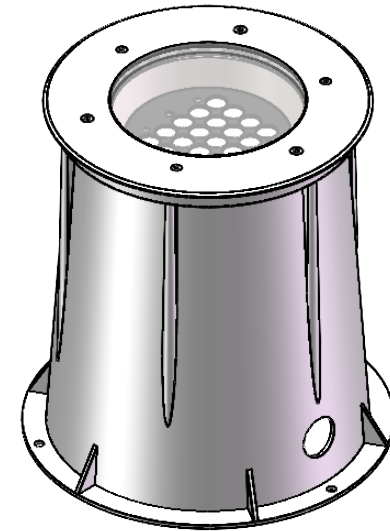
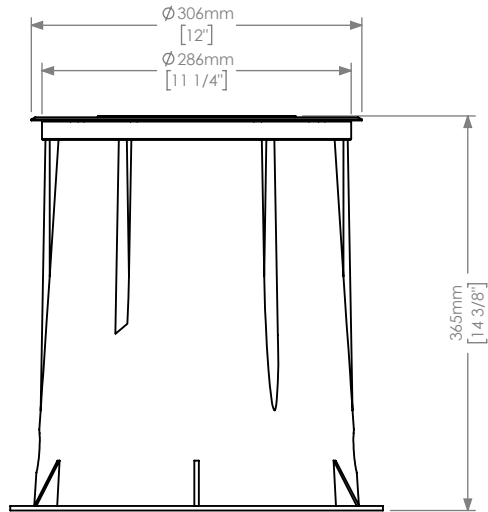
SHEET 1 OF 2

DIMENSIONS ARE IN MILLIMETERS [BRACKETED DIMENSIONS ARE IN INCHES]



**GRIVEN** 

<http://www.griven.com>



Description : DUNE MK3

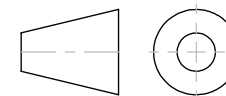
Code : AL5003

Revision : 02

Scale : 1:7

SHEET 2 OF 2

DIMENSIONS ARE IN MILLIMETERS [BRACKETED DIMENSIONS ARE IN INCHES]



**GRIVEN** 

<http://www.griven.com>